



东莞中力仪器科技有限公司  
Zhongli Instrument Technology Co., Ltd

Tel: +86-769-33657986  
Website: [www.gddetector.com/en](http://www.gddetector.com/en)

Fax: +86-769-33657987  
E-mail: [Zhongli@zltester.com](mailto:Zhongli@zltester.com)

# Introduction

**Name: ZL-4001A Conveyor Belt Metal Detection Machine for Food Security Detector**



→Direct Manufacturer.

→ Excellent Quality.

→Technical Innovation.

→ Fast Shipping.

→Superior Service.



### Description:

ZL-4001A is new arrival food metal detector . It has touch screen , 10 level adjustable sensitivity and memory 10 kinds of products etc .But also it has more higher reliability and stability on check products with water and salt.

1. Adopt the theory of balance, more reliable;
2. Phase-adapted technology can adapt products in order to effectively eliminate product effect.
3. Combination of DSP and Microprocessor is applied to process testing data of detection signal, which can enhance detection efficiency.
4. To stop mistaking in transmission & reception in advance, the detector handles many operations. Easy to adjust the detecting parameters.
5. Large LCD display with Chinese & English language and so on; Consumer can choose according to their needs.
6. Have self- learning study function, can automatically digitally learn and store product's features.Easy to operate without manual participation to adjust technical parameters.
7. It can store more than 100 kinds of testing data of products.
8. Automatic rejection system can be customized according to consumer's requirements, which can improve production efficiency and save labor costs.
9. Suitable for wet, dry ,dust ,dew environment , made of stainless steal ,has HACCP attestation , waterproof IP65

### Application:

It is widely used in the detection of Meat, Frozen meat, Sea food, Mushrooms, Drinks ,Fruits , Sugar, Salt and Vegetables

### Specification:

Detection width :	30-80 cm, Customized
Detection height:	8-50cm Customized
Detection sensitivity:	See below table
Alarm mode:	The buzzer alarm, the motor automatically stop
Transfer speed:	25 meter / min or you can select adjust speed
Power:	100-265VAC, 50-60Hz (According to customer request)
Size:	(150-170)cm(L)*(80-90)cm(W)*(85-120)cm(H)
Reject system	Option



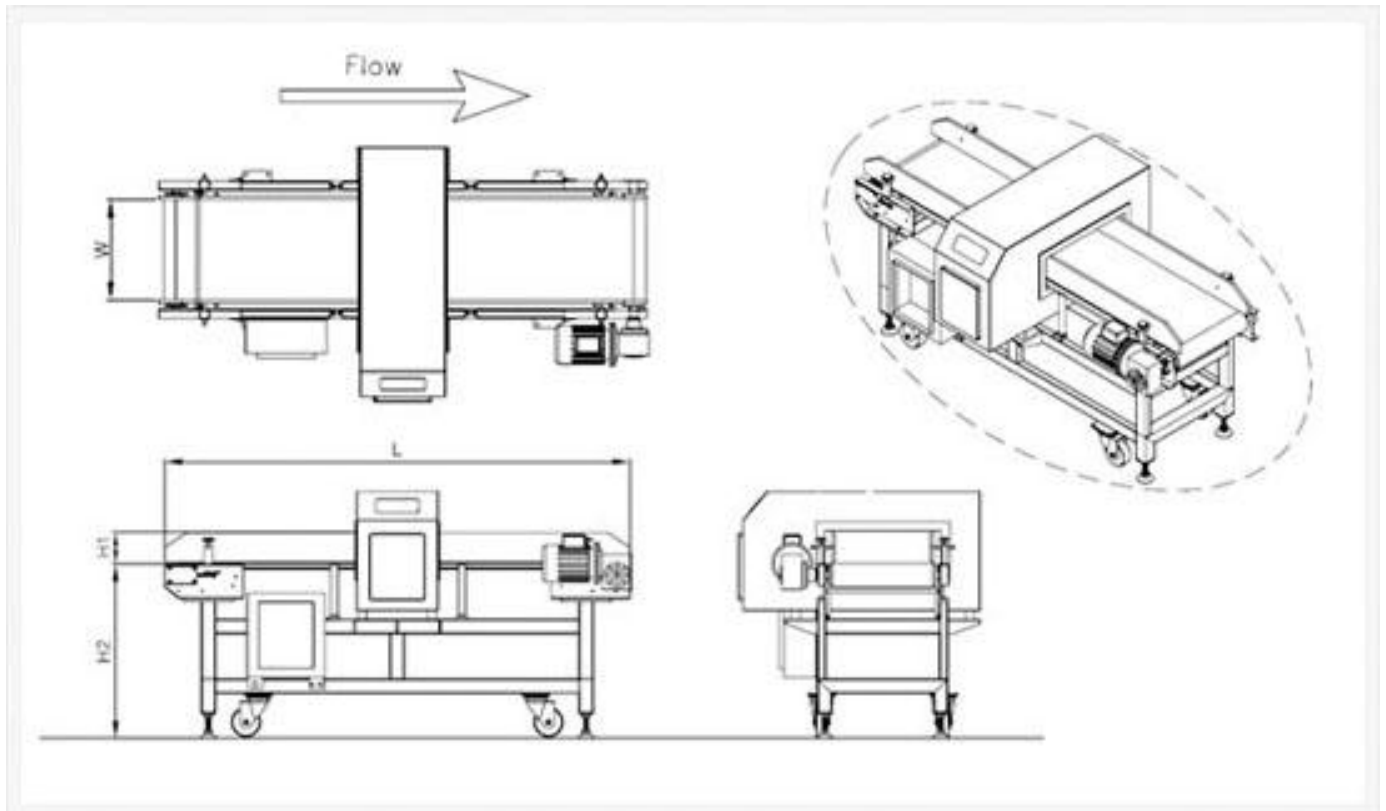
东莞中力仪器科技有限公司  
Zhongli Instrument Technology Co., Ltd

Tel: +86-769-33657986  
Website: [www.gddetector.com/en](http://www.gddetector.com/en)

Fax: +86-769-33657987  
E-mail: [Zhongli@zltester.com](mailto:Zhongli@zltester.com)

The reality detector sensitivity depends on the products and operating environment . Please kindly see below:

Detected Height(mm)	80	100	150	200	250	300	350
Belt Width(mm)	250	250	400	400	400	400	400
Belt length	1500						
Detector sensitivity(mm)	Fe 0.8	Fe 1.0	Fe 1.2	Fe 1.5	Fe 2.0	Fe 2.5	Fe 3.0
	SUS 1.0	SUS 2.0	SUS 2.5	SUS 2.5	SUS 3.0	SUS 3.5	SUS 4.0
	N-Fe 1.0	N-Fe 1.5	N-Fe 2.0	N-Fe 2.0	N-Fe 2.5	N-Fe 3.0	N-Fe 3.5
Speed of belt	25M/min (Fixed speed) ; If you need adjust 5-40 M/min , please inform us before order						
Load ability	20KG						
Count	100						
Warning method	Sound and light alarm ; The belt can be stopped, continue run or belt return ( the option you can selected in PLC controller)						
Reject Ways	when has auto-reject system ,belt continue and rejecting the goods						
Application	Non-package ,plastic package ,paper bag or box (non-metallic) product						
Work Environment	Temperature -10°C-40°C ,relative humidity 30-90%						





东莞中力仪器科技有限公司  
Zhongli Instrument Technology Co., Ltd

Tel: +86-769-33657986  
Website: [www.gddetector.com/en](http://www.gddetector.com/en)

Fax: +86-769-33657987  
E-mail: [Zhongli@zltester.com](mailto:Zhongli@zltester.com)

**Machine Pictures :**



**Machine with Reject system (Option)**





东莞中力仪器科技有限公司  
Zhongli Instrument Technology Co., Ltd

Tel: +86-769-33657986  
Website: [www.gddetector.com/en](http://www.gddetector.com/en)

Fax: +86-769-33657987  
E-mail: [Zhongli@zltester.com](mailto:Zhongli@zltester.com)

**Wooden packing :**



**Machine Certificate:**





东莞中力仪器科技有限公司  
Zhongli Instrument Technology Co., Ltd

Tel: +86-769-33657986

Website: [www.gddetector.com/en](http://www.gddetector.com/en)

Fax: +86-769-33657987

E-mail: [Zhongli@zltester.com](mailto:Zhongli@zltester.com)

---

### **Company Introduction:**

Dongguan Zhongli Instrument Technology Co.,Ltd Professional in Producing Metal detector for 14 years, which is a famous high-tech enterprise that specializes in the production of professional inspection equipment, such as **conveyor metal detector, metal separator, needle detector, checkweigher and x ray machine** etc.

Zhongli with technical support, market oriented, fundamental human. Have a high level of professionalism, experience and innovative research team and carved small peck production team. Companies with the most advanced technology, the most stable quality, best price, best after sales service, from installation and commissioning, professional training, to solve practical problems of customers, providing 24-hour technical advice. company's products among consumers enjoy higher status, with many agents to establish a long-term stable cooperative relations.

Provide our customers with better overall solution laboratory, including laboratory design, planning, renovation and equipment selection, installation, training, maintenance, Comparative testing management system, such as one-stop authentication technology services.

Promises: 12 months free maintenance of all equipment, maintenance of life, welcome to consult the discussion!

# **Thank you !**